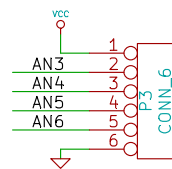
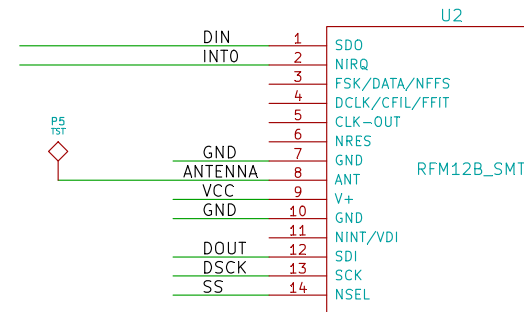
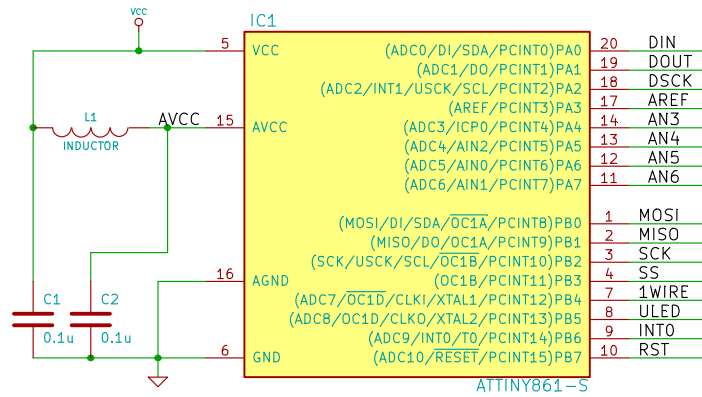
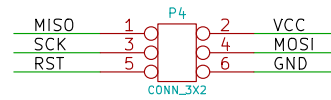


Primary use of board is as a remote temperature sensor using a RFM12 transceiver and a DS18B20 1-wire sensor

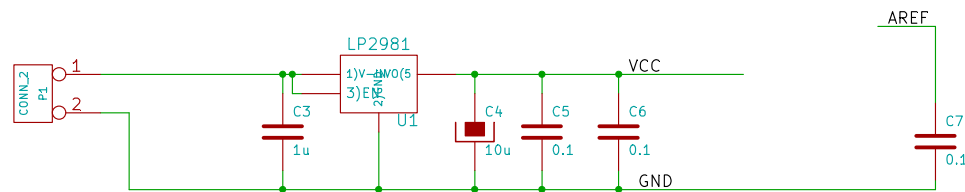
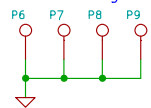
### 1-WIRE PORT



### ATMEL 6-pin ICP header



### PCB mounting holes



<b>Stewart</b>		
File: tiny461-3.sch		
Sheet: /		
<b>Title: ATTiny461/861 RFM12 node</b>		
Size: A4	Date: 21 mar 2013	<b>Rev: 3</b>
KiCad E.D.A. eeschema (2012-01-19 BZR 3256)-stable		Id: 1/1